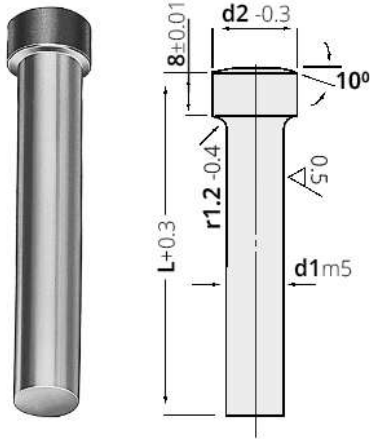


**NEW**



Coating as per request

**Heavy Duty Headed Punch**

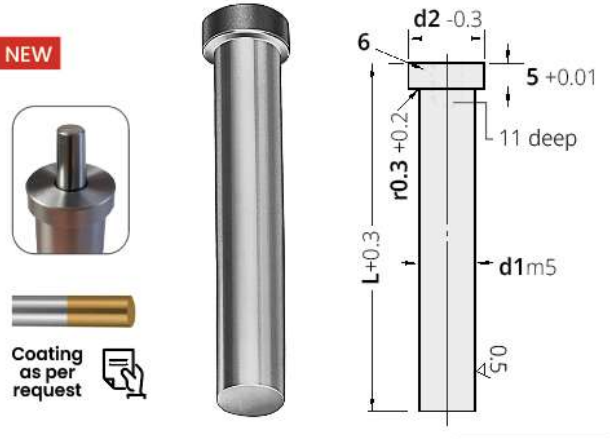
\* Larger-headed

Code: **SBZF**

Blank Type

d1	Order			d2
	L: 70	L: 80	L: 100	
6	SBZF 6 x 70	SBZF 6 x 80	SBZF 6 x 100	11
8	SBZF 8 x 70	SBZF 8 x 80	SBZF 8 x 100	13
10	SBZF 10 x 70	SBZF 10 x 80	SBZF 10 x 100	15
12	SBZF 12 x 70	SBZF 12 x 80	SBZF 12 x 100	17
13	SBZF 13 x 70	SBZF 13 x 80	SBZF 13 x 100	18
16	SBZF 16 x 70	SBZF 16 x 80	SBZF 16 x 100	21
20	SBZF 20 x 70	SBZF 20 x 80	SBZF 20 x 100	25
25	SBZF 25 x 70	SBZF 25 x 80	SBZF 25 x 100	30
32	-	-	SBZF 32 x 100	37

**NEW**



Coating as per request

**Center Dowel Headed Punch**

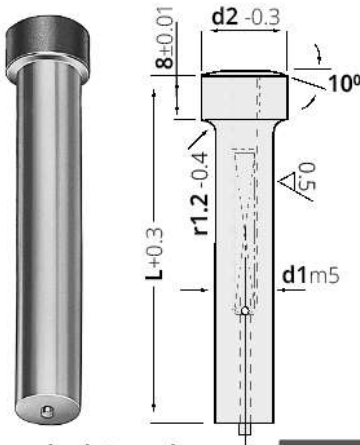
ISO 8020, with center dowel

Code: **DSZ**

Blank Type

d1	Order				d2
	L: 71	L: 80	L: 90	L: 100	
10	DSZ10 x 71	DSZ10 x 80	DSZ10 x 90	DSZ10 x 100	13
13	DSZ13 x 71	DSZ13 x 80	DSZ13 x 90	DSZ13 x 100	16
16	DSZ16 x 71	DSZ16 x 80	DSZ16 x 90	DSZ16 x 100	19
20	DSZ20 x 71	DSZ20 x 80	DSZ20 x 90	DSZ20 x 100	23
25	DSZ25 x 71	DSZ25 x 80	DSZ25 x 90	DSZ25 x 100	28
32	DSZ32 x 71	DSZ32 x 80	DSZ32 x 90	DSZ32 x 100	35

**NEW**



Coating as per request

**Heavy Duty Headed Punch with Ejector**

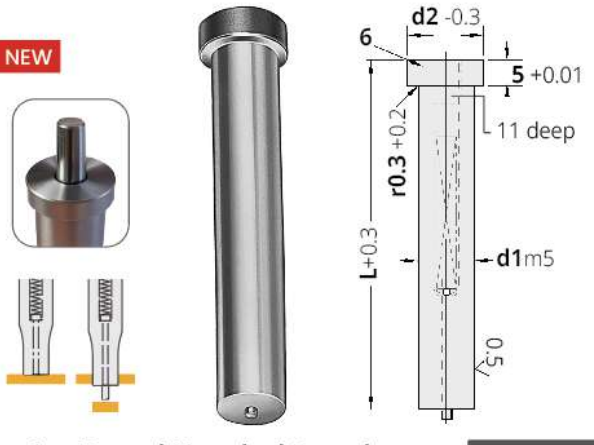
\* Larger-headed

Code: **SFZF**

Blank Type

d1	Order			d2
	L: 70	L: 80	L: 100	
6	SFZF 6 x 70	SFZF 6 x 80	SFZF 6 x 100	11
8	SFZF 8 x 70	SFZF 8 x 80	SFZF 8 x 100	13
10	SFZF 10 x 70	SFZF 10 x 80	SFZF 10 x 100	15
12	SFZF 12 x 70	SFZF 12 x 80	SFZF 12 x 100	17
13	SFZF 13 x 70	SFZF 13 x 80	SFZF 13 x 100	18
16	SFZF 16 x 70	SFZF 16 x 80	SFZF 16 x 100	21
20	SFZF 20 x 70	SFZF 20 x 80	SFZF 20 x 100	25
25	SFZF 25 x 70	SFZF 25 x 80	SFZF 25 x 100	30
32	-	-	SFZF 32 x 100	37

**NEW**



Coating as per request

**Center Dowel Headed Punch with Ejector**

ISO 8020, with center dowel

Code: **DFZ**

Blank Type

d1	Order				d2
	L: 71	L: 80	L: 90	L: 100	
10	DFZ10 x 71	DFZ10 x 80	DFZ10 x 90	DFZ10 x 100	13
13	DFZ13 x 71	DFZ13 x 80	DFZ13 x 90	DFZ13 x 100	16
16	DFZ16 x 71	DFZ16 x 80	DFZ16 x 90	DFZ16 x 100	19
20	DFZ20 x 71	DFZ20 x 80	DFZ20 x 90	DFZ20 x 100	23
25	DFZ25 x 71	DFZ25 x 80	DFZ25 x 90	DFZ25 x 100	28
32	DFZ32 x 71	DFZ32 x 80	DFZ32 x 90	DFZ32 x 100	35

Punches and Retainers

**SBZF** **SFZF**

**Material:** 1.3343 (M2) completely ground  
**Heat Treated:** 60 - 63 HRC / **Head Hardness:** 40 - 55 HRC

**DSZ** **DFZ**

**Material:** 1.3343 (M2) completely ground  
**Heat Treated:** 60 - 63 HRC / **Head Hardness:** 40 - 55 HRC